

NOTES:

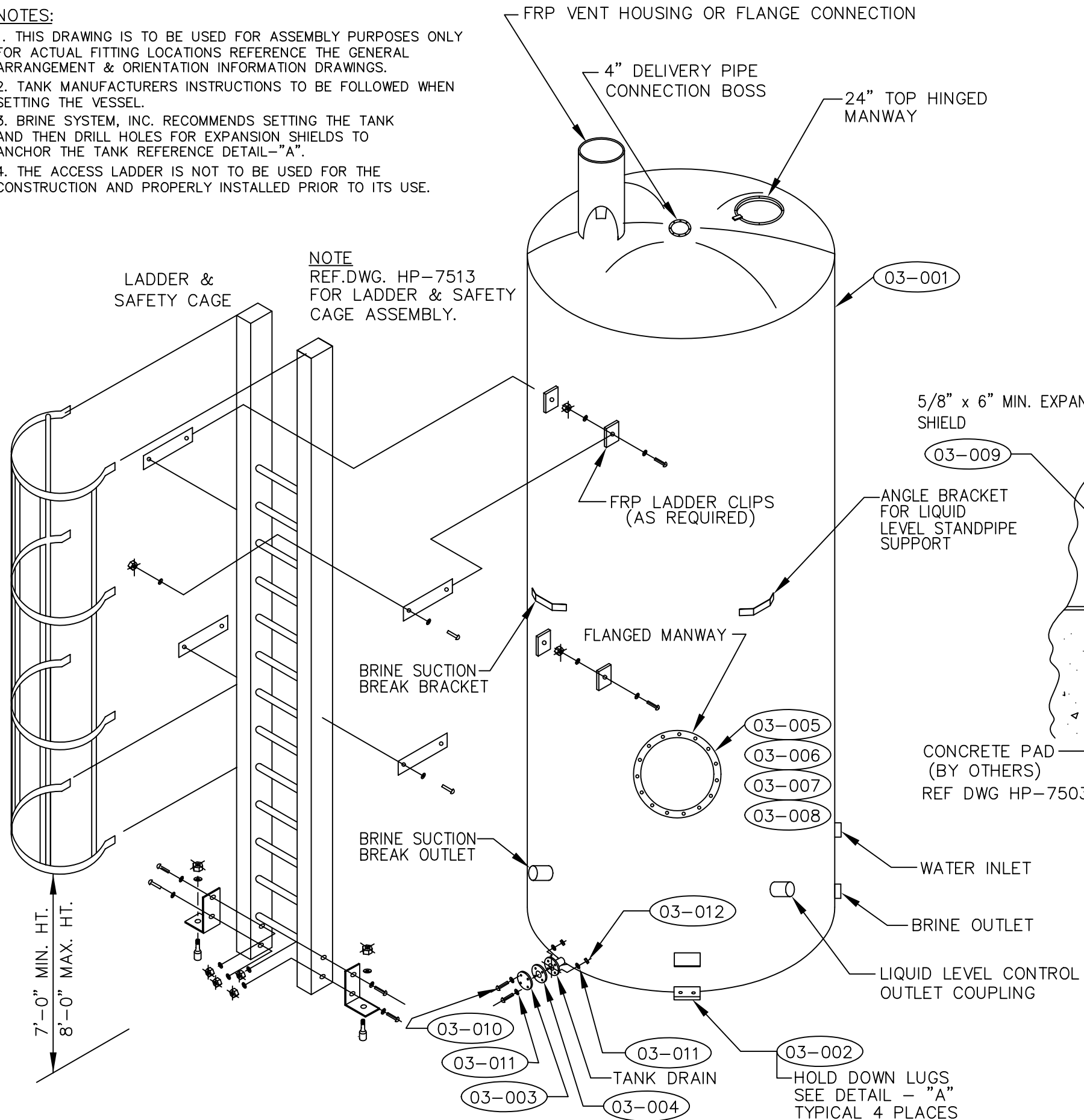
1. THIS DRAWING IS TO BE USED FOR ASSEMBLY PURPOSES ONLY FOR ACTUAL FITTING LOCATIONS REFERENCE THE GENERAL ARRANGEMENT & ORIENTATION INFORMATION DRAWINGS.

2. TANK MANUFACTURERS INSTRUCTIONS TO BE FOLLOWED WHEN SETTING THE VESSEL.

3. BRINE SYSTEM, INC. RECOMMENDS SETTING THE TANK AND THEN DRILL HOLES FOR EXPANSION SHIELDS TO ANCHOR THE TANK REFERENCE DETAIL-"A".

4. THE ACCESS LADDER IS NOT TO BE USED FOR THE CONSTRUCTION AND PROPERLY INSTALLED PRIOR TO ITS USE.

NOTE
REF.DWG. HP-7513
FOR LADDER & SAFETY
CAGE ASSEMBLY.



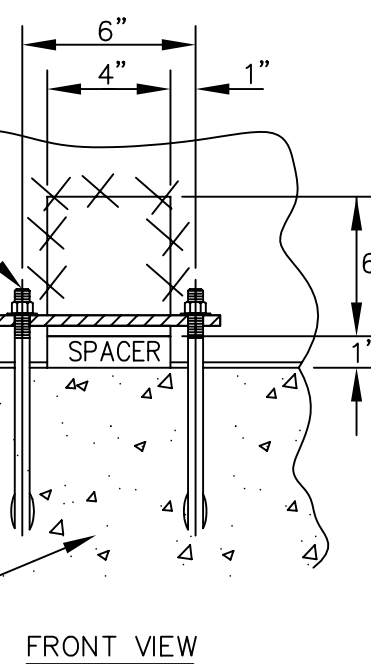
ITEM	QTY.	MATL.	DESCRIPTION
03-001	1	FRP	FIBERGLASS VESSEL (SHIPPED SEPARATELY)
03-002	4	SS	3/8" THICK VESSEL HOLD DOWN LUG
03-003	1	PVC	3"-150# BLANK FLANGE-TANK DRAIN
03-004	1	NEOP	3" FULL FACE GASKET 1/8" THK.-DRAIN
03-005	20	304S.S.	1/2" x 2 1/2" LG. HEX HEAD BOLT
03-006	40	304S.S.	1/2"- FLAT WASHER
03-007	20	304S.S.	1/2"- HEX HEAD NUT
03-008	1	NEOP.	24" FULL FACE GASKET 1/8" THK.-MANWAY
03-009	8	304S.S.	5/8" x 6" LG. EXPANSION BOLTS
03-010	4	304S.S.	5/8"x 2 3/4"LG - HEX HEAD MACH. BOLT
03-011	8	304S.S.	5/8"- FLAT WASHER
03-012	4	304S.S.	5/8" - HEX HEAD NUT

5/8" x 6" MIN. EXPANSION SHIELD

03-009

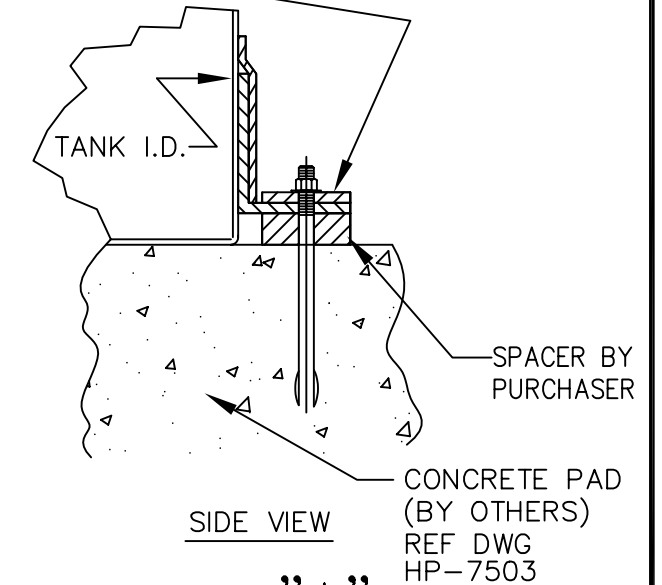
ANGLE BRACKET FOR LIQUID LEVEL STANDPIPE SUPPORT

CONCRETE PAD (BY OTHERS)
REF DWG HP-7503



FRONT VIEW

03-002 3/8" THK x 3 1/2" x 8" STAINLESS STEEL HOLD DOWN PLATE



SIDE VIEW

TANK LUG & HOLD DOWN DETAIL - "A"

FOR TECHNICAL ASSISTANCE PLEASE CONTACT BRINE SYSTEMS, INC. AT AREA CODE (570) 679-3030 OR FAX AT (570) 679-3040.

BRINE SYSTEMS, INC. EQUIPMENT SALES & SERVICES P.O. BOX 200 UNION DALE, PA. 18470		INDEX B1543-03	
		DATE 9-20-06	SCALE NONE
TITLE HP BRINER FIBERGLASS TANK ASSEMBLY AND DETAILS		DWN. CADDCO	CHK. W.J.H.
		DWG. NO. HP-7502	