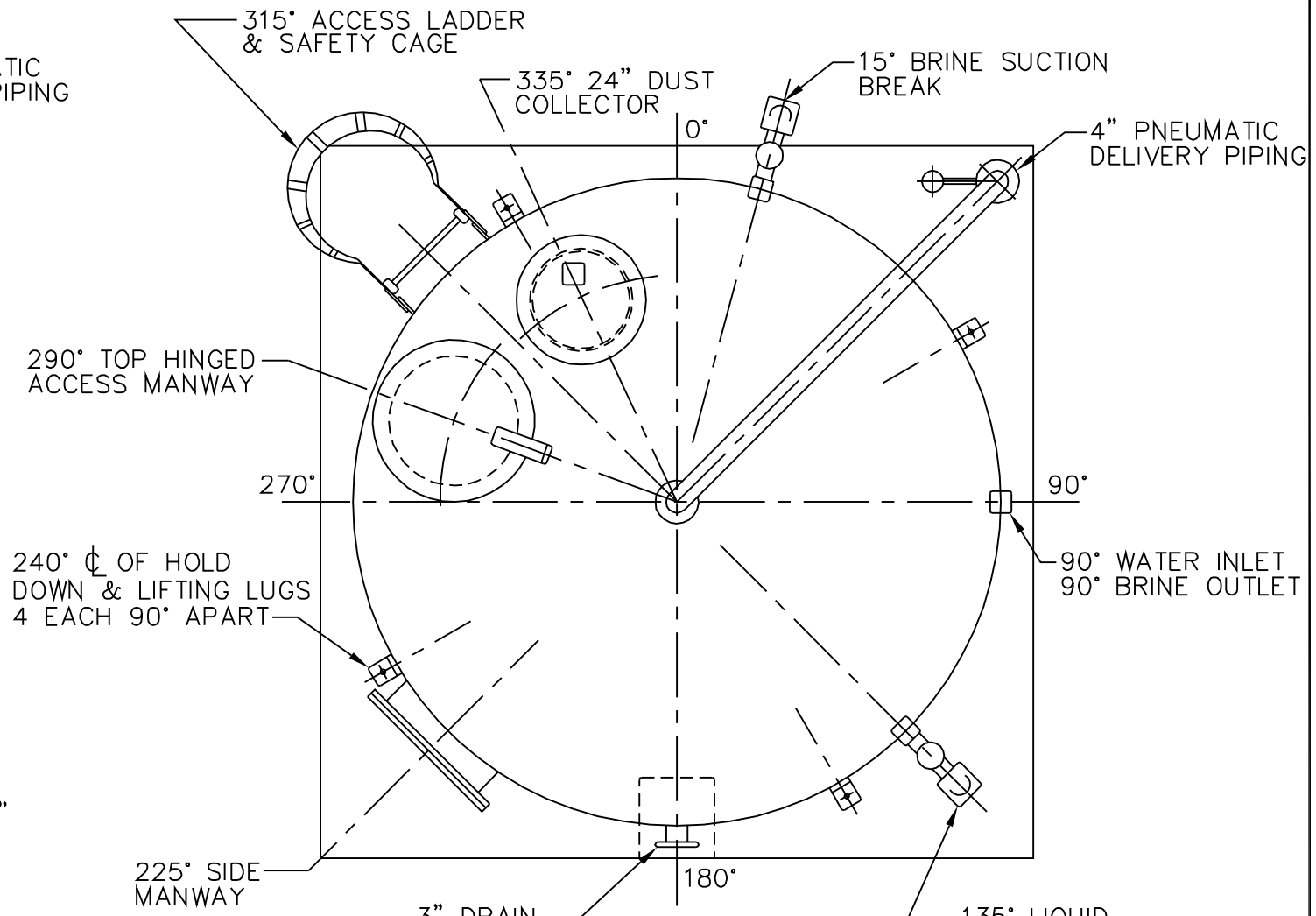


**ELEVATION VIEW**  
REFERENCE PLAN FOR PROPER FITTING ORIENTATION



**PLAN VIEW**

OPERATING WEIGHT	37
DRY SALT STORAGE	25
SALT DISSOLVED POUNDS PER MINUTE	53
BRINE PRODUCTION GALLONS PER MINUTE	20
EMPTY WEIGHT VESSEL & COMPONENTS	2630#

- NOTES:**
1. THE FITTING ORIENTATION AS SHOWN IS THE STANDARD HOWEVER, THE ORIENTATION CAN BE CHANGED TO BETTER SERVE THE CUSTOMERS NEEDS.
  2. ALL HP BRINER SALT DISSOLVERS USING EVAPORATED OR PURIFIED SALT WILL REQUIRE A GRAVEL FILTER BED.
  3. CONCRETE SUPPORT PAD & PNEUMATIC SUPPORT COLUMN ARE TO BE SUPPLIED BY OTHERS.

FOR TECHNICAL ASSISTANCE PLEASE CONTACT BRINE SYSTEMS, INC. AT AREA CODE (570) 679-3030 OR FAX AT (570) 679-3040.

<b>BRINE SYSTEMS, INC.</b> EQUIPMENT SALES & SERVICES P.O. BOX 200 UNION DALE, PA. 18470		<b>B1535-01</b>	
		DATE 9-18-06	SCALE NONE
<b>TITLE</b> 25 TON HP BRINER 9'-0" DIA x 16'-6" HIGH ORIENTATION / INFORMATION		DWN. CADDCO	CHK. W.J.H.
		DWG. NO. <b>HP-7500-03</b>	